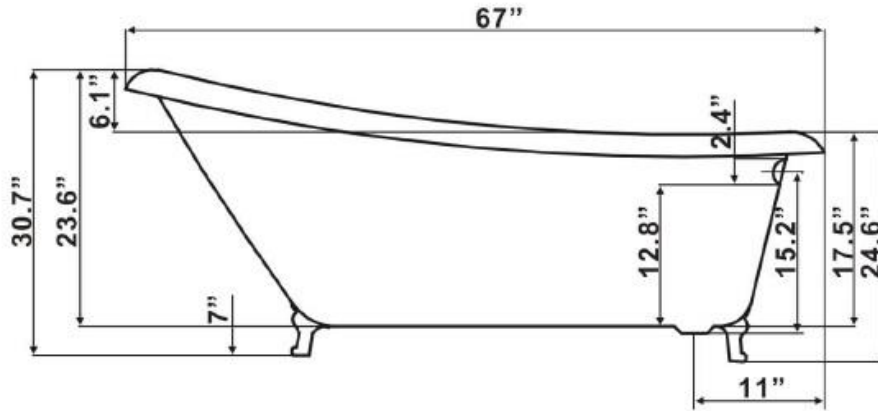




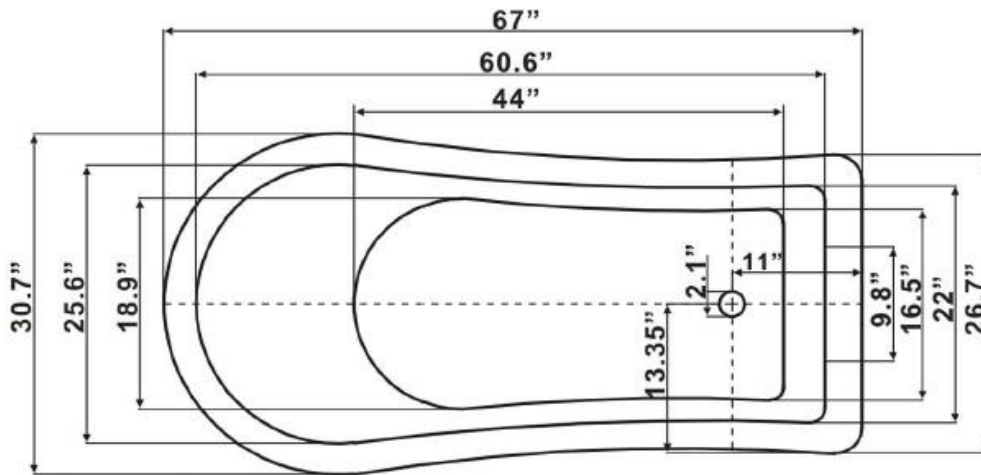
Quality Acrylic Bath

I C S Quality Acrylic Baths



Single Slipper

End Drain



67 Single Slipper Clawfoot Tub



Weight	144 lbs
Gallons to Overflow	58
Weight Full to Overflow	618
Min. Wall Thickness	3/4"
Reinforced Floor	YES
Aluminum Heat Barrier (with narrow air gap)	YES
Slip Resistant Floor	YES
High Gloss Finish Interior & Exterior	YES
Available with Bubble Jetting	YES

www.ICQualitybaths.com