

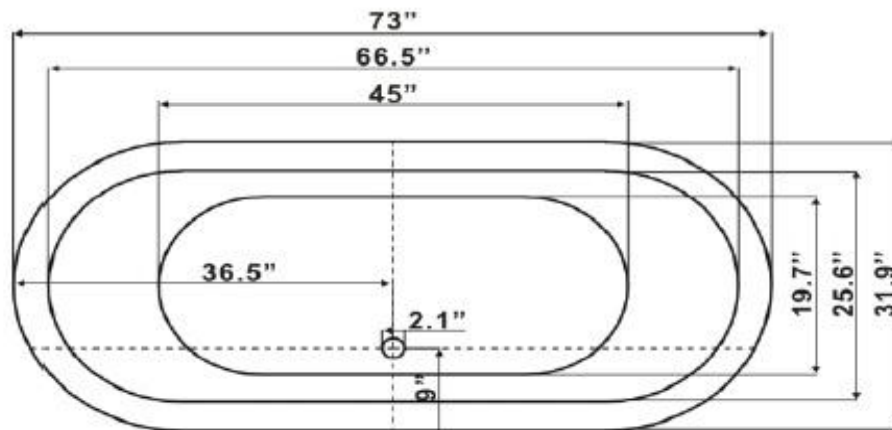
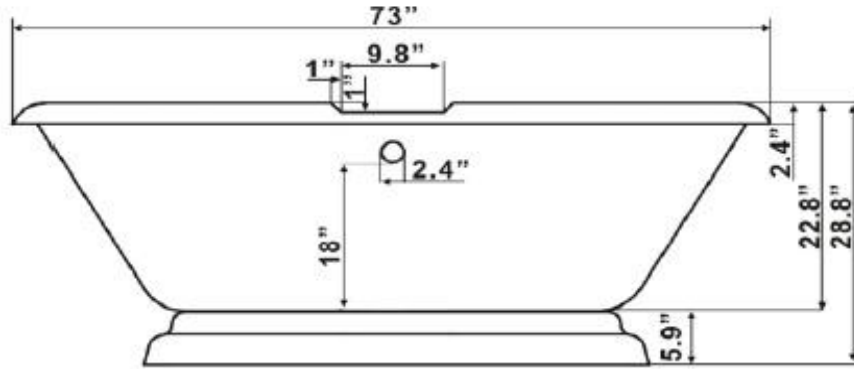


Quality Acrylic Bath

ICS Quality Acrylic Baths

73 " Double Ended

www.ICSqualitybaths.com



73 " Double Ended

Meets or Exceeds ANSI Z124.1.2-2005; CSA B45.0-02 & CSA B45.5-02

Weights

Weight empty	168 lbs
Weight filled to overflow	961 lbs
Gallons to overflow	98

General

- Reinforced extra thick floor
- Slip resistant floor
- High gloss interior and exterior
- Integrated aluminum heat barrier
- Minimum tub thickness 3/4"

cUPC label on base of tub

