

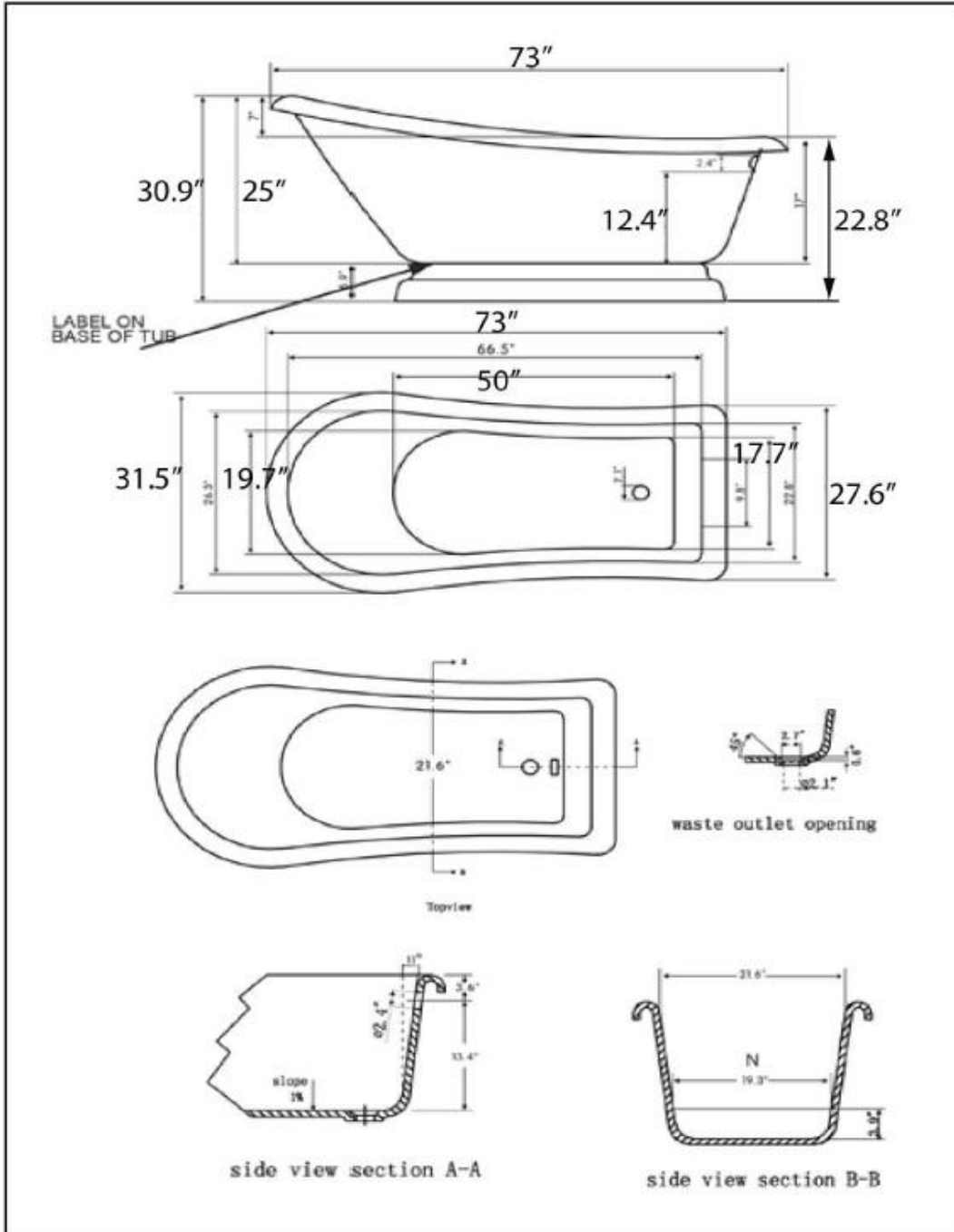


Quality Acrylic Bath

ICS Quality Acrylic Baths

73" single slipper

[www.ICSqualitybaths.com](http://www.ICSqualitybaths.com)



**73 Single Slipper**



Weight	160 lbs
Gallons to Overflow	66
Weight Full to Overflow	721 lbs
Min. Wall Thickness	3/4"
Reinforced Floor	YES
Aluminum Heat Barrier (with narrow air gap)	YES
Slip Resistant Floor	YES
High Gloss Finish Interior & Exterior	YES
Available with Bubble Jetting	YES