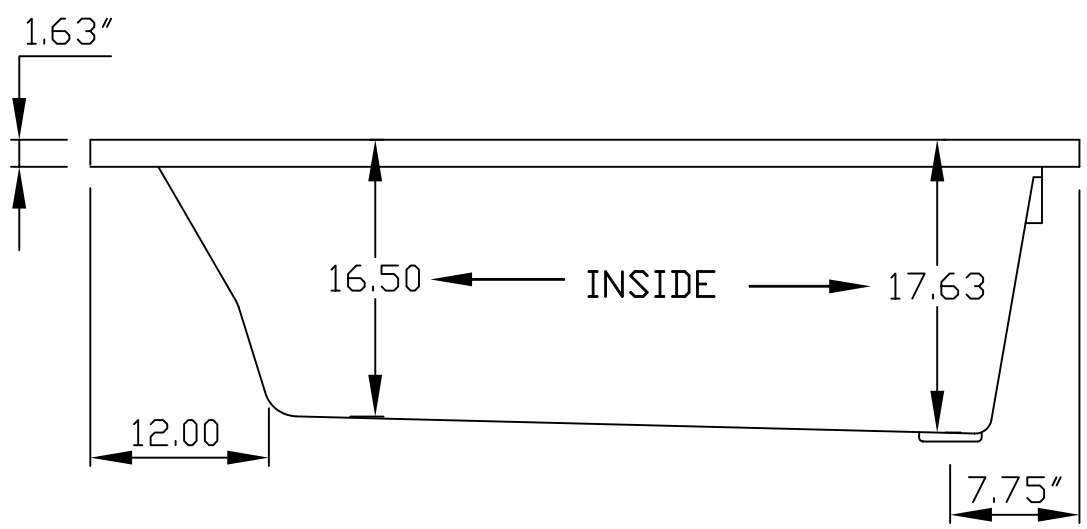
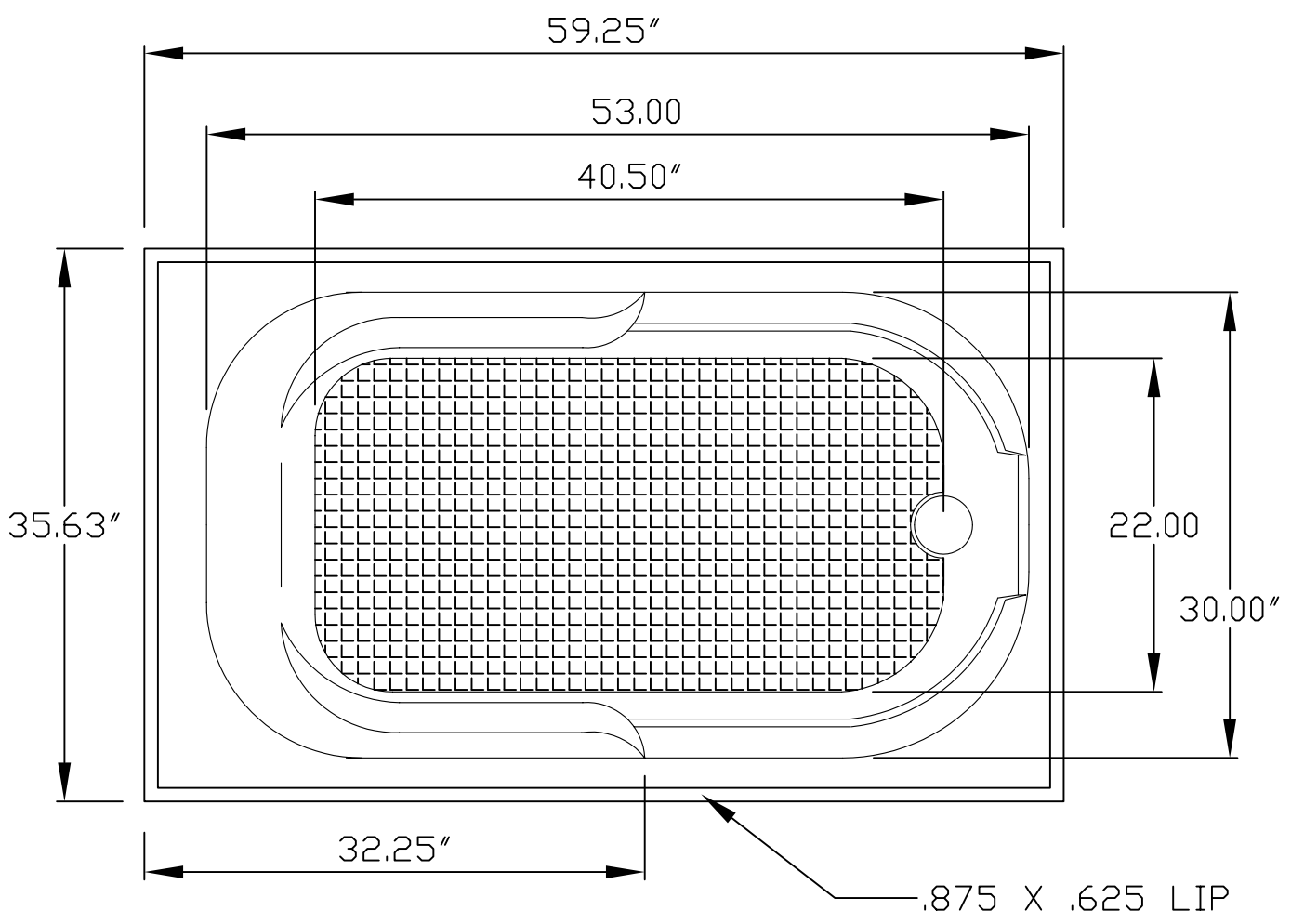


REVISIONS				
ZONE	REV	DESCRIPTION	DATE	APPROVED



				<h1>Quality Acrylic Baths</h1>	
SCALE			SHEET 1 OF 1		