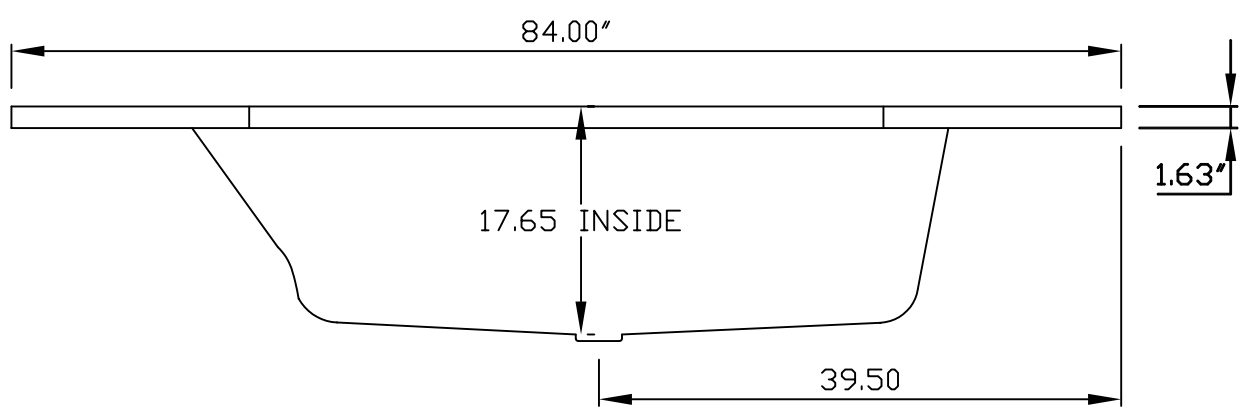
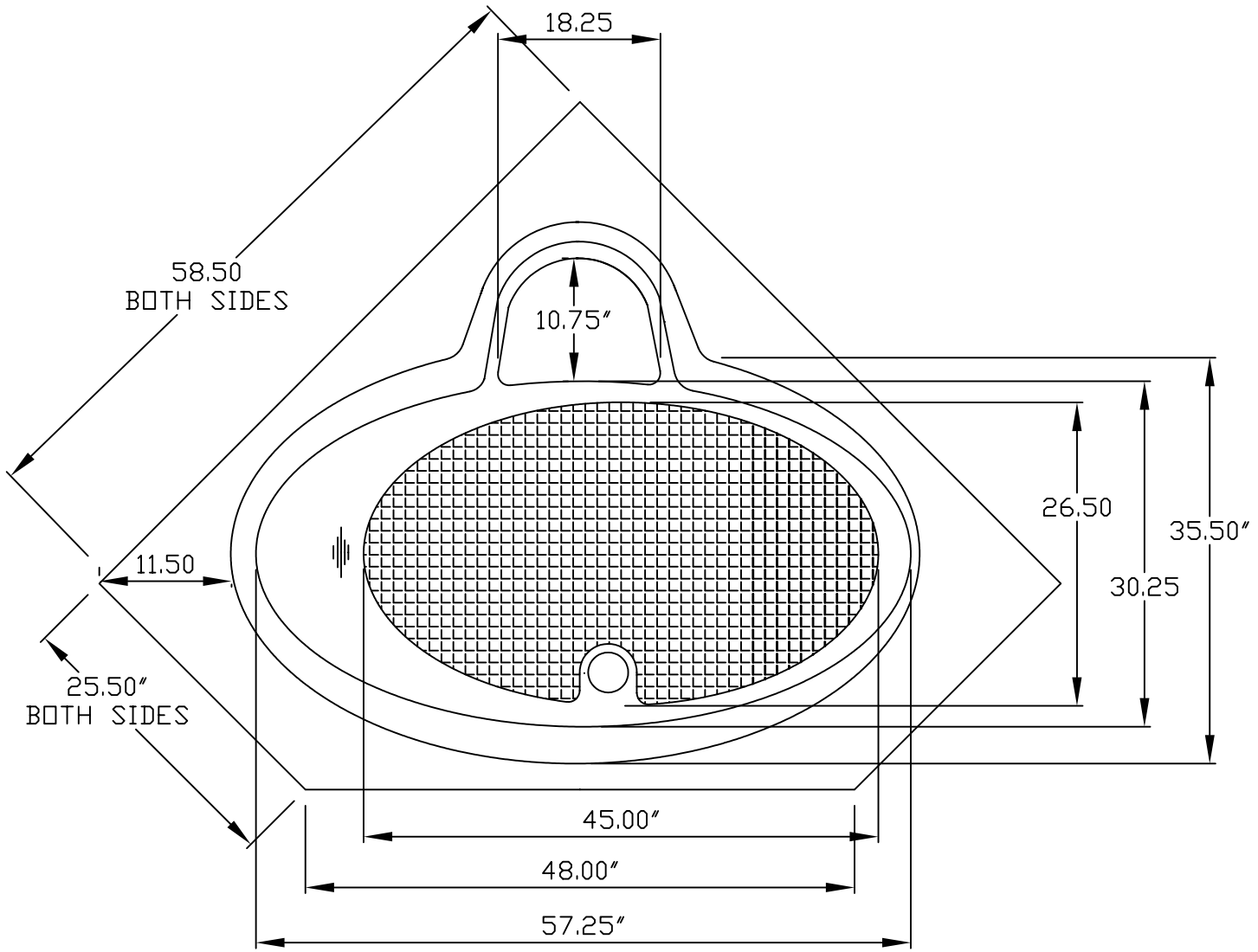


REVISIONS				
ZONE	REV	DESCRIPTION	DATE	APPROVED



				<h1>Quality Acrylic Baths</h1>			
				SIZE A	FSCM NO.	DWG NO. QAB MODEL 504 S	REV IR
SCALE					SHEET 1 OF 1		