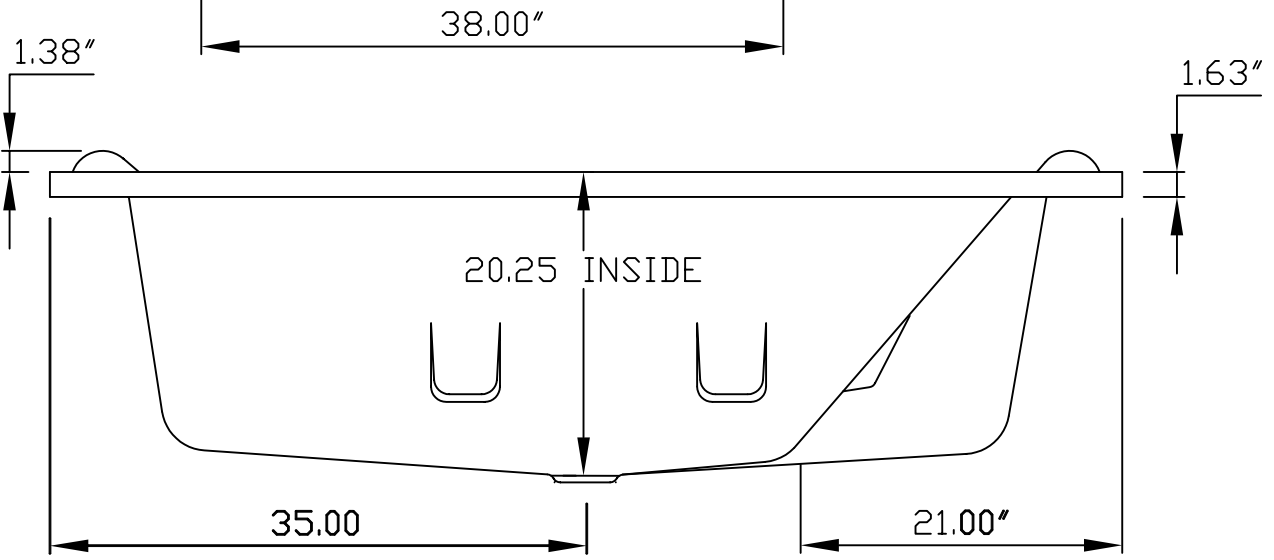
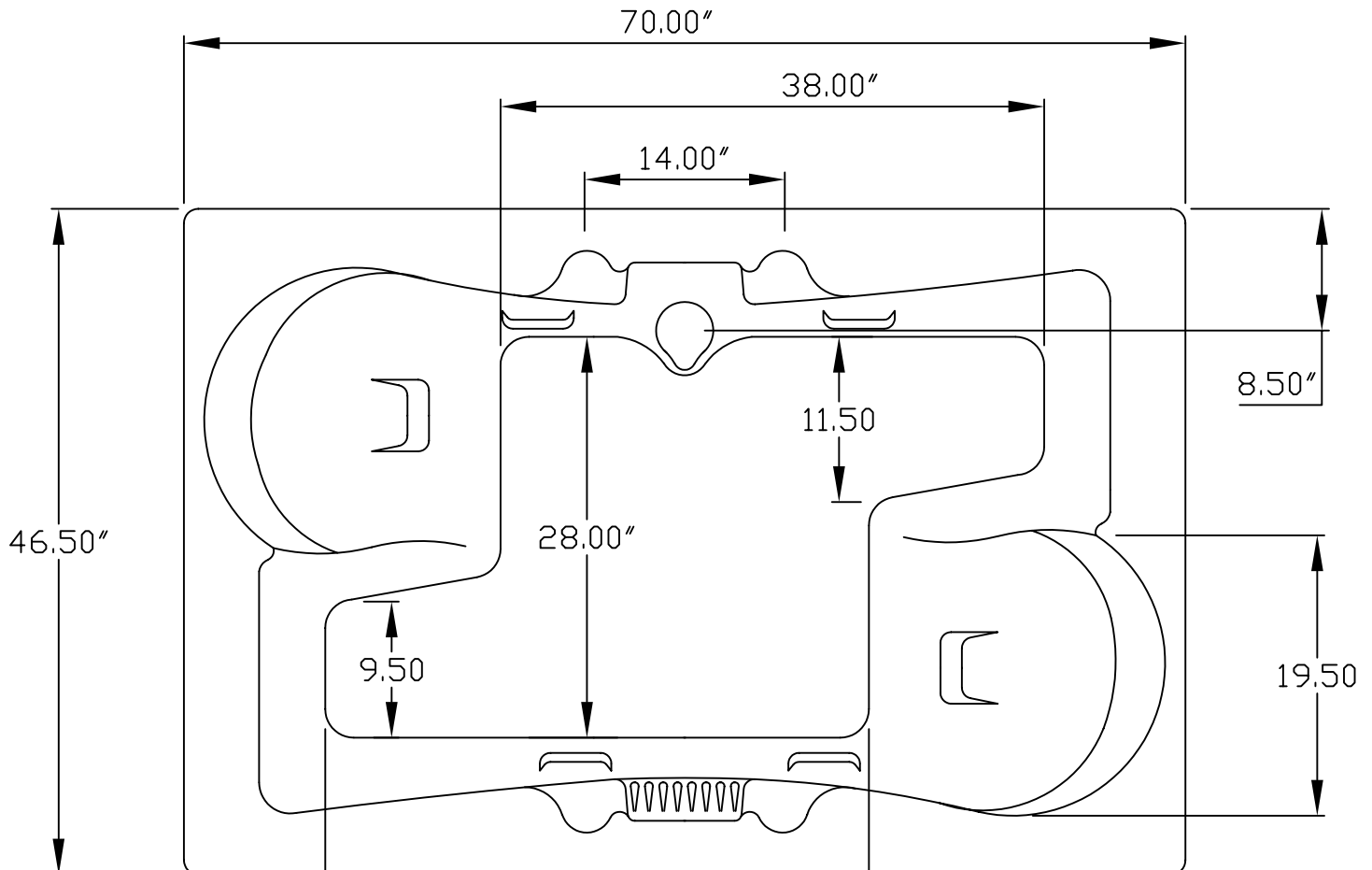


| REVISIONS |     |             |      |          |
|-----------|-----|-------------|------|----------|
| ZONE      | REV | DESCRIPTION | DATE | APPROVED |



# Quality Acrylic Baths

|           |          |                          |           |
|-----------|----------|--------------------------|-----------|
| SIZE<br>A | FSCM NO. | DWG NO.<br>QAB MODEL 509 | REV<br>IR |
| SCALE     |          | SHEET 1 OF 1             |           |