



Quality Acrylic Bath

ICS Quality Acrylic Baths

www.ICSqualitybaths.com

Victorian Faucet Specs

Solid Brass Construction, Ceramic Valves



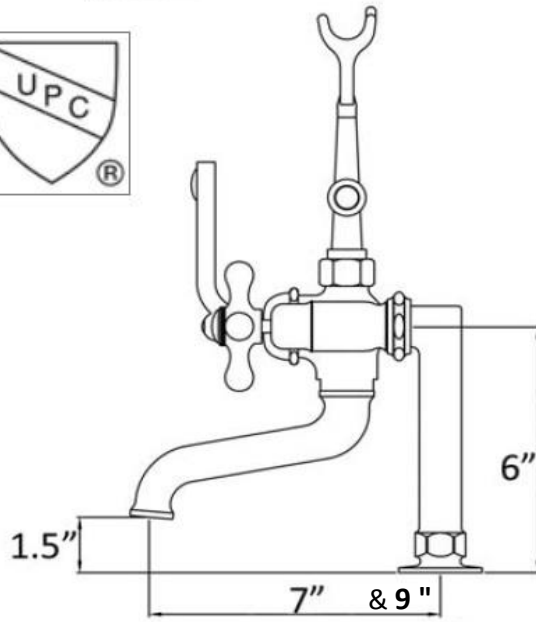
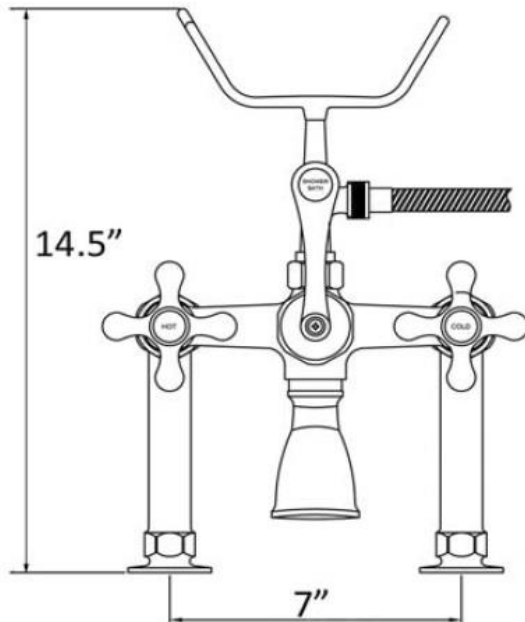
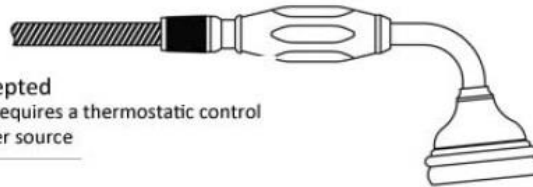
Tub Mount

Wall Mount

Freestanding

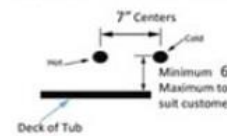


MA Code Accepted  
MA acceptance requires a thermostatic control valve at hot water source

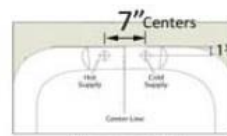


Integrated Handheld Shower  
ANSI Approved Back-flow Prevention  
Deck Mounted or Wall Mounted  
1/4 Turn Ceramic Valves  
8 Gallons Per Minute @ 60 psi  
1/2" Male Connectors Supplied

VF110T Victorian Tub Filler WALL MOUNT



For Wall Mount, we recommend a minimum center height of 6" above the tub deck on 7" centers. Tub distance from the wall should be no greater than 4".

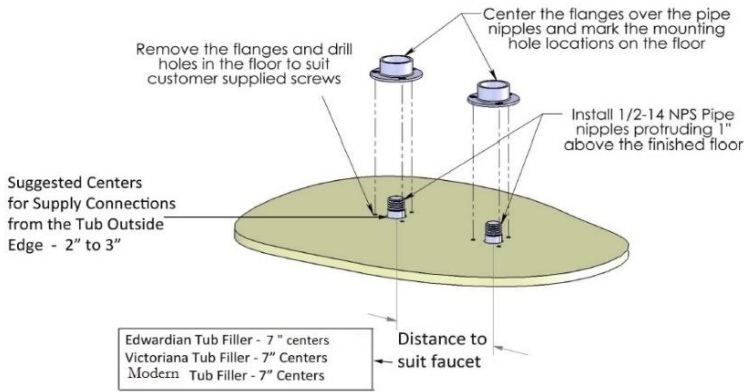
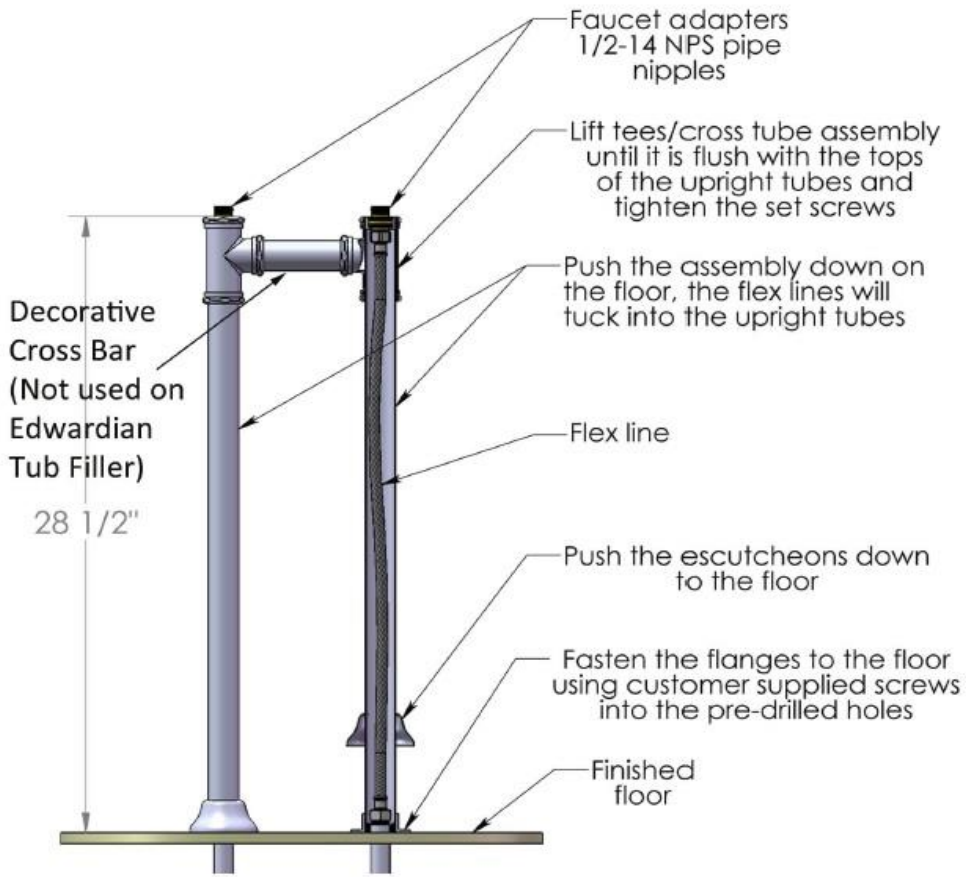


Deck Mount on a Hotel Collection Tub.

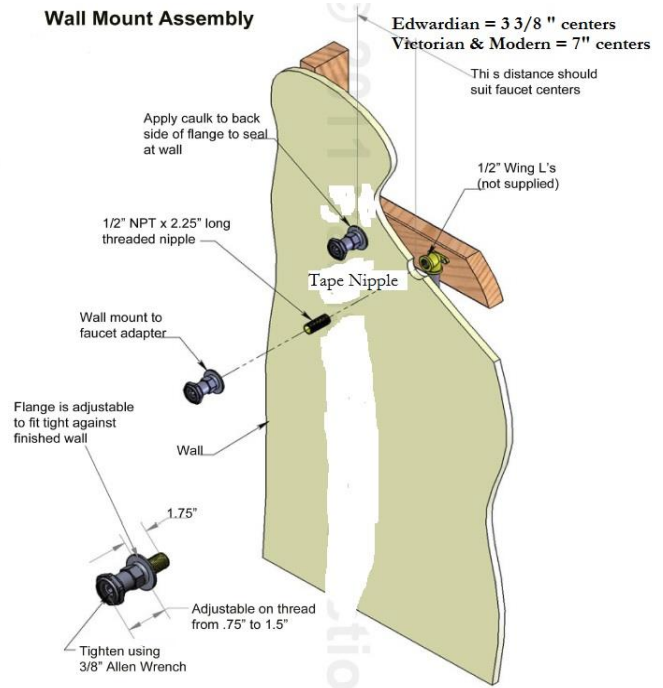
Measurements to be used for rough-in plumbing only.

# RFS01 Freestanding Rigid Supply lines With H Frame Connector

H Frame Often not used.



## Wall Mount Assembly



## Series MMV Thermostatic Mixing Valves

Sizes: 1/2" - 1" (15 - 25mm)

Series MMV Thermostatic Mixing Valves maintain and limit mixed hot water to a desired, selectable temperature. The MMV series can be set to any temperature between 80°F and 120°F with flow rates as low as 0.5 gpm and as high as 12 gpm (refer to capacity chart on back). This mixing valve series is listed under ASSE 1017 for valves used in hot water source applications, ASSE 1069 for single-pipe, tempered water applications and ASSE 1070 for valves used in individual or multiple fixture applications and also listed IAPMO cUPC.

Watts Mixing Valves required for two handle Valves !  
Install beneath Floor in Wall or hidden location.

Triple Listed!  
ASSE 1017,  
ASSE 1069 & ASSE 1070

